



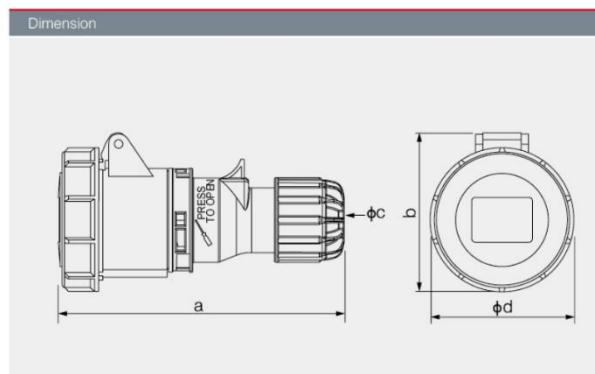
Product Code

VP32023



16A 2P+E Coupler IP67

★ Rated current: 16A
★ Rated voltage: AC 100-130~
★ No. of poles: 2P+E
★ Protection degree: IP67
★ Housing material: Flame Retardant PA6 RoHS Reach Contact: nickel-plated brass RoHS Reach
★ Standards: IEC60309-1, IEC60309-2
★ Certificates: S, CB, CE, TUV, ISO9001:2008, RoHS, REACH



Pole	16A			32A		
	3	4	5	3	4	5
a	134	138	146	166	166	171
b	78.5	85	93	98	98	104
c	15	15	17	22	22	22
d	71	79	86.5	93.5	93.5	99.5
Cable size(mm ²)	1~2.5			2.5~6		

